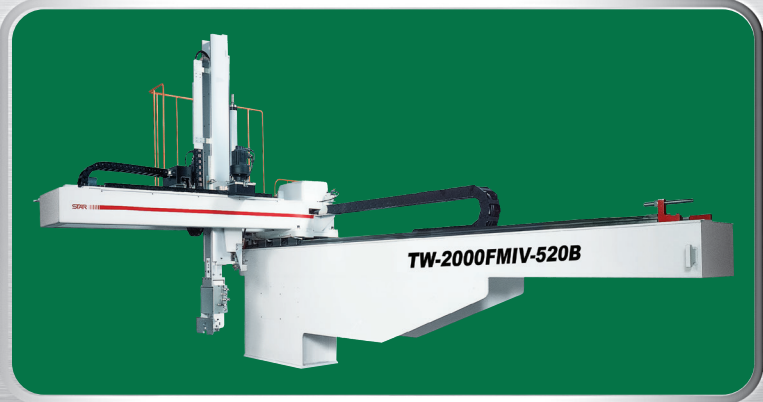


◎ INJECTION PRESS RANGE: 1500-4000 TON ◎

*Digital AC SERVO Robot Series*

## TW-2000FMIV



### COMMON SPECIFICATIONS

Power Source	Air Pressure	Drive	Posture (air cylinder)	Recommended Max Load	Posture Torque @ 70 PSI	Control Types
200 VAC ± 10% 60 Hz	70 psi (.48 MPa)	AC Servo Motor	90°	Std. - 88 lbs (40 kg)	258 ft-lbs (350 N•m)	STEC-520\B
				Opt. - 132 lbs (60 kg)		

### GENERAL SPECIFICATIONS

Model	Stroke				Electric Consumption (kVA)	Max Power Consumption (kW)	Main Body Weight (KG)	Air Consumption (ft <sup>3</sup> )
	(P) Vertical	(R) Vertical	Crosswise	Traverse				
TW-2000FMIV	78.74" (2000 mm)	78.74" (2000 mm)	62.99" (1600 mm)	141.73" (3600 mm)	9.0	5.4	2,714 (5,970 lbs)	2.4 (69 NI / Cycle)

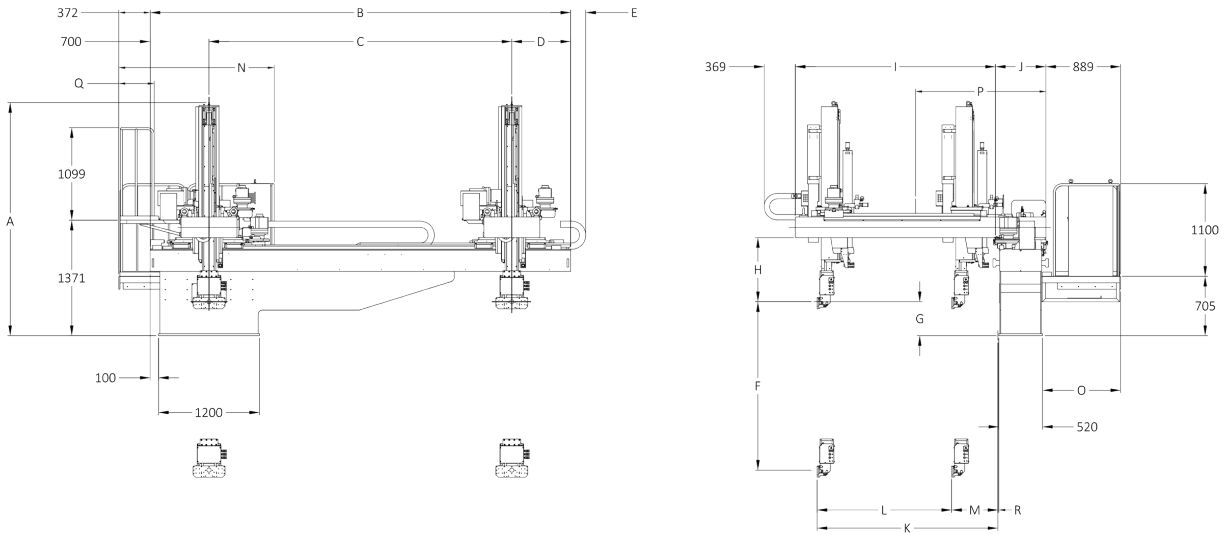
### STANDARD FEATURE

Vacuum Generator with Part Present Sensor
Part Grip Circuit
Sprue Grip Circuit
USB Port
Ethernet Port
Sample and Chuck Change Positons
Product Packaging (256 each axis)
CNC Step Programming
Micro SD Card
CPC® and AMP® Connections at the Head
Active Vibration Control
IMM Mounting Weldment
Multi- Level Password Protection
Position, Speed and Timer Adjust in Auto
Alarm History
Grease Pocket LM Bearings

### OPTION LIST

Additional Vacuum Generator with Part Present Sensor
Additional Part Grip
Nipper on Chuck
Rotation 90°, 180° 2-Position
Shuttle on Tool
Mold Spray
Air Blow
1-3 Color Alarm Light
Special Paint
Free Packaging
Central Lube
Quick Chuck Change
Servo Posture Rotate

## OVERALL DIMENSIONS



		TW-2000FMIV
A	Overall Height	108.98" (2768mm)
B	Overall Width	196.85" (5000mm)
C	Traverse Stroke	141.73" (3600mm)
D	Overhang, Release Side	27.56" (700mm)
E	Cable Guide Overhang	7.05" (179mm)
F	(P) Vertical Stroke	78.74" (2000mm)
G	(P) Vertical Standby	15.87" (403mm)
H	Bottom of Crosswise to Chuck Mount Postion	30.00" (762mm)
I	Crosswise Arm	93.70" (2380mm)
J	Thickness	23.62" (600mm)
K	Crosswise Reach Max.	84.64" (2150mm)
L	Crosswise Stroke Max.	62.99" (1600mm)
M	Crosswise Standby Min.	21.65" (550mm)
N	Platform at Rail Side Length	72.72" (1847mm)
O	Platform at Rail Side Width	36.57" (929mm)
P	Platform at Carriage Unit Side Length	61.02" (1550mm)
Q	Platform at Carriage Unit Side Width	16.54" (420mm)
R	Base Offset	0.39" (10mm)



### Wisconsin (HQ)

N90 W14401 Commerce Drive  
Menomonee Falls, WI 53051  
Phone: 262-253-3550  
Fax: 262-253-3559  
Email: kscheife@starautomation.com

### California

18141 Beach Blvd. Unit 195  
Huntington Beach, CA 92648  
Phone: 714-375-2400  
Fax: 714-375-2446  
Email: ryamasaki@starautomation.com

### Georgia

5555 Oakbrook Parkway Suite 320  
Norcross, GA 30093  
Phone: 770-582-9350  
Fax: 770-582-9351  
Email: chebert@starautomation.com

### Indiana

5625 Vogel Road Unit B  
Evansville, IN 47715  
Phone: 812-475-9947  
Fax: 812-475-9949  
Email: sberry@starautomation.com

### Michigan

17197 North Laurel Park Dr. Suite 125  
Livonia, MI 48152  
Phone: 734-462-9522  
Fax: 734-462-9527  
Email: tsukuda@starautomation.com

### Rhode Island

860A Waterman Avenue  
E Providence, RI 02914  
Phone: 401-434-0617  
Fax: 401-434-0627  
Email: pgerzevitz@starautomation.com

### Tennessee

Sales Phone: 678-428-4202  
Service Phone: 615-796-5670  
Email: chebert@starautomation.com

### Star Seiki Mexico S.A. De C.V.

Bldv Bernardo Quintana #7001  
Torre II Oficina 1004 Colonia Centro Sur,  
Queretaro, CP. 76090 Mexico  
Phone: +52-442-199-5180  
Email: knomura@starseikimexico.com