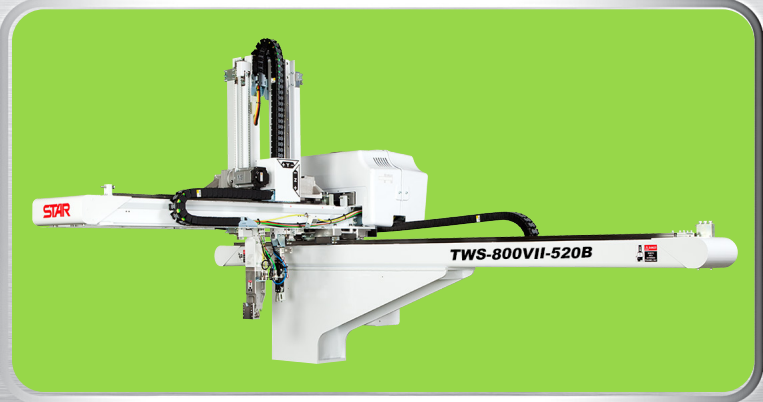


◎ INJECTION PRESS RANGE: 80-300 TON ◎

*Digital AC SERVO Robot Series*

# TW-800VII

# TWS-800VII



## COMMON SPECIFICATIONS

| Power Source        | Air Pressure     | Drive          | Posture (air cylinder) | Recommended Max Load | Posture Torque @ 70 PSI | Control Types |
|---------------------|------------------|----------------|------------------------|----------------------|-------------------------|---------------|
| 200 VAC ± 10% 60 Hz | 70 psi (.48 MPa) | AC Servo Motor | 90°                    | 11 lbs (5 kg)        | 14.9 ft-lbs (20.2 N·m)  | STEC-520B     |

## GENERAL SPECIFICATIONS

| Model      | Stroke         |                |  |               | Electric Consumption (kVA) | Max Power Consumption (kW) | Main Body Weight (KG) | Air Consumption (ft <sup>3</sup> ) |
|------------|----------------|----------------|--|---------------|----------------------------|----------------------------|-----------------------|------------------------------------|
|            | (P) Vertical   | (R) Vertical   | Crosswise                              | Traverse      |                            |                            |                       |                                    |
| TW-800VII  | 33.5" (850 mm) | N/A            | 30.3" (770 mm)                         | 63" (1600 mm) | 2.9                        | 1.7                        | 342 (754 lbs)         | 0.077 (2.2 NI / Cycle)             |
| TWS-800VII | 33.5" (850 mm) | 33.5" (850 mm) | (P)26.6" (675 mm)<br>(R)26.6" (675 mm) | 63" (1600 mm) | 3.5                        | 2.1                        | 383 (844 lbs)         | 0.081 (2.3 NI / Cycle)             |

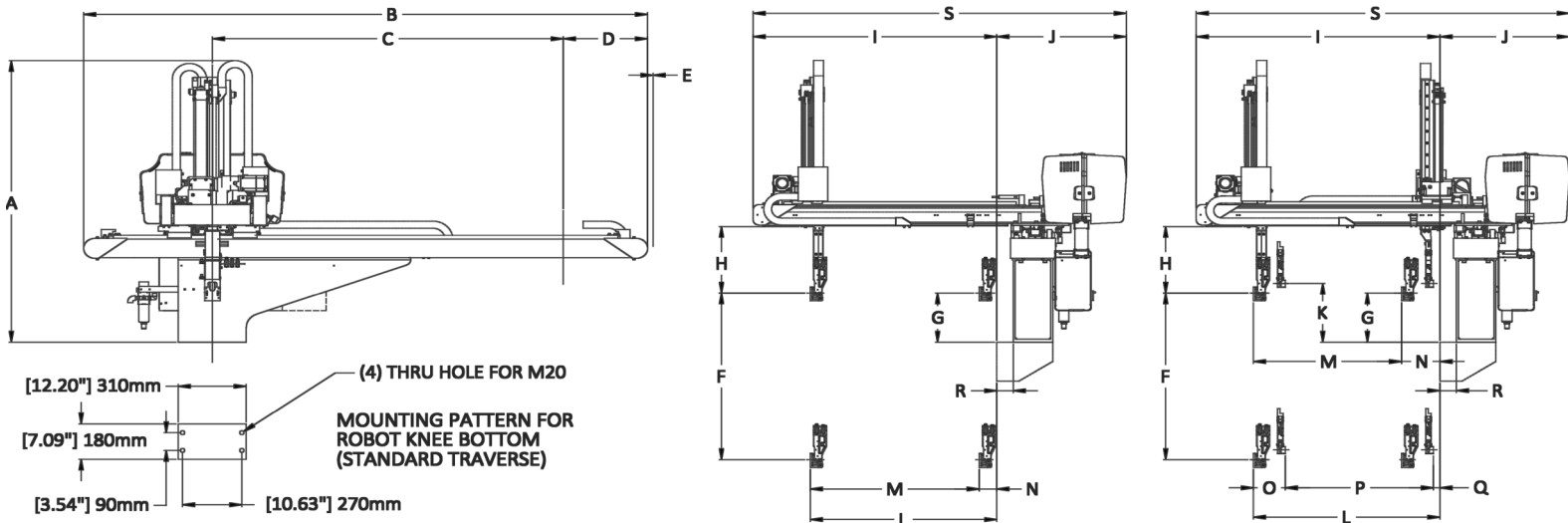
## STANDARD FEATURE

|   |
|---|
| Vacuum Generator with Part Present Sensor |
| Part Grip Circuit                         |
| Sprue Grip Circuit                        |
| USB Port                                  |
| Ethernet Port                             |
| Sample and Chuck Change Positons          |
| Product Packaging (256 each axis)         |
| CNC Step Programming                      |
| Micro SD                                  |
| CPC® and AMP® Connections at the Head     |
| Active Vibration Control                  |
| IMM Mounting Weldment                     |
| Multi- Level Password Protection          |
| Position, Speed and Timer Adjust in Auto  |
| Alarm History                             |
| Grease Pocket LM Bearings                 |

## OPTION LIST

|  |
|--|
| Additional Vacuum Generator with Part Present Sensor |
| Additional Part Grip                                 |
| Nipper on Chuck                                      |
| Rotation 90°, 180° 2-Position, 180° 3-Position       |
| Shuttle on Tool                                      |
| Mold Spray   |
| Air Blow   |
| 1-3 Color Alarm Light                                |
| Special Paint  |
| Free Packaging                                       |
| Central Lube   |
| Quick Chuck Change                                   |
| Servo Posture Wrist                                  |
| Servo Posture Rotate                                 |

### OVERALL DIMENSIONS



|   |  | TW-800VII        | TWS-800VII       |
|---|--|------------------|------------------|
| A | Overall Height                             | 56.57" (1437mm)* | 56.57" (1437mm)* |
| B | Overall Width                              | 101.22" (2571mm) | 101.22" (2571mm) |
| C | Traverse Stroke                            | 62.99" (1600mm)  | 62.99" (1600mm)  |
| D | Overhang, Release Side                     | 15.59" (396mm)   | 15.59" (396mm)   |
| E | Cable Guide Overhang                       | 0                | 0                |
| F | (P) Vertical Stroke                        | 33.46" (850mm)   | 33.46" (850mm)   |
| G | (P) Vertical Standby                       | 9.84" (250mm)    | 9.84" (250mm)    |
| H | Bottom of Crosswise to Chuck Mount Postion | 13.39" (340mm)   | 13.39" (340mm)   |
| I | Mold Mounting Face - Crosswise Arm End     | 43.74" (1111mm)  | 43.74" (1111mm)  |
| J | Mold Mounting Face - Box End               | 23.23" (590mm)   | 23.23" (590mm)   |
| K | (R) Vertical Standby                       | -                | 11.81" (300mm)   |
| L | (P) Crosswise Reach Max.                   | 33.46" (850mm)   | 33.46" (850mm)   |
| M | (P) Crosswise Stroke Max.                  | 30.32" (770mm)   | 26.57" (675mm)   |
| N | (P) Crosswise Standby Min.                 | 3.15" (80mm)     | 6.89" (175mm)    |
| O | (P) Proximity Min.                         | -                | 5.71" (145mm)    |
| P | (R) Crosswise Stroke Max.                  | -                | 26.57" (675mm)   |
| Q | (R) Crosswise Standby Min.                 | -                | 1.18" (30mm)     |
| R | Base Offset                                | 2.95" (75mm)     | 2.95" (75mm)     |
| S | Box End - Crosswise Arm End                | 66.97" (1701mm)  | 66.97" (1701mm)  |

\*Some units may be 15mm taller  
All stated here is subject to change without notice



#### Wisconsin (HQ)

N90 W14401 Commerce Drive  
Menomonee Falls, WI 53051  
Phone: 262-253-3550  
Fax: 262-253-3559

Email: kscheife@starautomation.com

#### California

18141 Beach Blvd. Unit 195  
Huntington Beach, CA 92648  
Phone: 714-375-2400  
Fax: 714-375-2446

Email: ryamasaki@starautomation.com

#### Georgia

5555 Oakbrook Parkway Suite 320  
Norcross, GA 30093  
Phone: 770-582-9350  
Fax: 770-582-9351

Email: chebert@starautomation.com

#### Indiana

5625 Vogel Road Unit B  
Evansville, IN 47715  
Phone: 812-475-9947  
Fax: 812-475-9949

Email: sberry@starautomation.com

#### Michigan

17197 North Laurel Park Dr. Suite 125  
Livonia, MI 48152  
Phone: 734-462-9522  
Fax: 734-462-9527

Email: tsukuda@starautomation.com

#### Rhode Island

860A Waterman Avenue  
E Providence, RI 02914  
Phone: 401-434-0617  
Fax: 401-434-0627

Email: sales@starautomation.com

#### Tennessee

Sales Phone: 678-428-4202  
Service Phone: 615-796-5670  
Email: chebert@starautomation.com

#### Star Seiki Mexico S.A. De C.V.

Bldv Bernardo Quintana #7001  
Torre II Oficina 1004 Colonia Centro Sur,  
Queretaro, CP. 76090 Mexico  
Phone: +52-442-199-5180

Email: knomura@starseikimexico.com