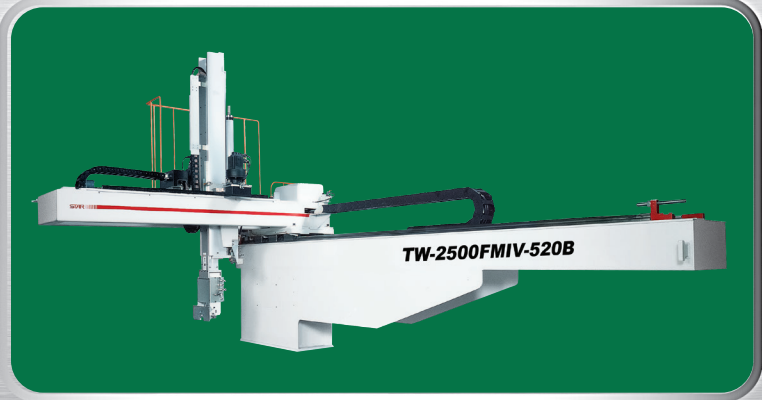


◎ INJECTION PRESS RANGE: 2500-5000 TON ◎

Digital AC SERVO Robot Series

TW-2500FMIV



COMMON SPECIFICATIONS

Power Source	Air Pressure	Drive	Posture (air cylinder)	Recommended Max Load	Posture Torque @ 70 PSI	Control Types
200 VAC ± 10% 60 Hz	70 psi (.48 MPa)	AC Servo Motor	90°	176 lbs (80 kg)	258 ft-lbs (350 N•m)	STEC-520B

GENERAL SPECIFICATIONS

Model	Stroke				Electric Consumption (kVA)	Max Power Consumption (kW)	Main Body Weight (KG)	Air Consumption (ft ³)
	(P) Vertical	(R) Vertical	Crosswise	Traverse				
TW-2500FMIV	98.43" (2500 mm)	N/A	78.74" (2000 mm)	157.48" (4000 mm)	16.5	9.9	4,208 (9,257 lbs)	4.06 (115 NI / Cycle)

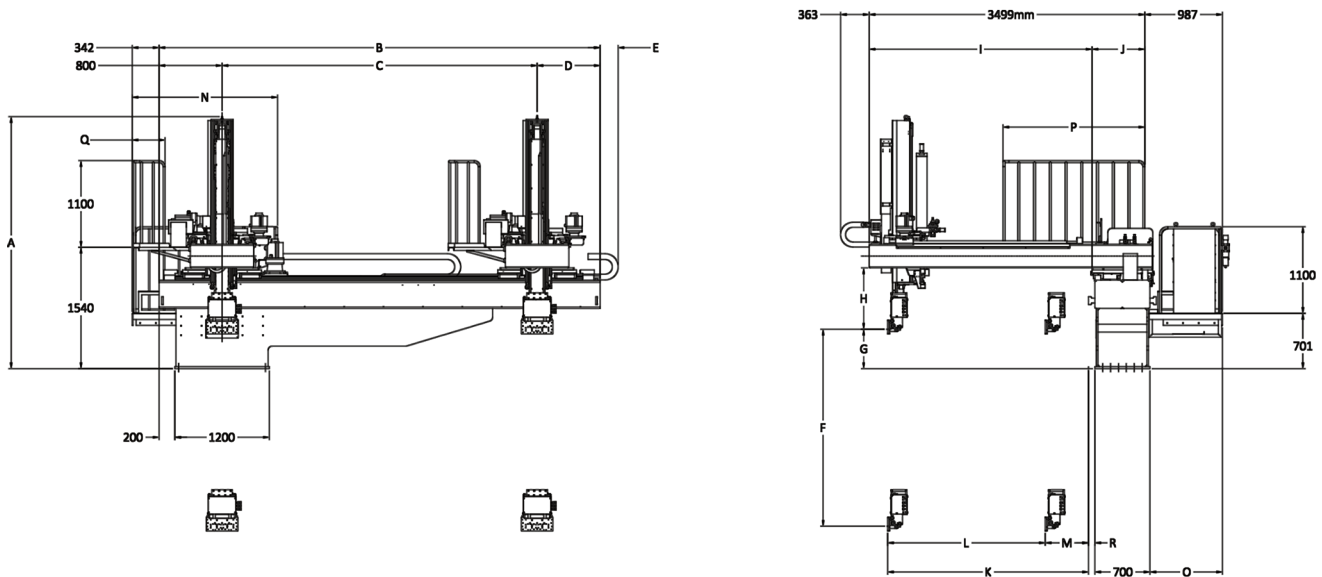
STANDARD FEATURE

Vacuum Generator with Part Present Sensor
Part Grip Circuit
Sprue Grip Circuit
USB Port
Ethernet Port
Sample and Chuck Change Positons
Product Packaging (256 each axis)
CNC Step Programming
Micro SD Card
CPC® and AMP® Connections at the Head
Active Vibration Control
IMM Mounting Weldment
Multi- Level Password Protection
Position, Speed and Timer Adjust in Auto
Alarm History
Grease Pocket LM Bearings

OPTION LIST

Additional Vacuum Generator with Part Present Sensor
Additional Part Grip
Nipper on Chuck
Rotation 90°, 180° 2-Position
Shuttle on Tool
Mold Spray
Air Blow
1-3 Color Alarm Light
Special Paint
Free Packaging
Central Lube
Quick Chuck Change
Servo Posture Rotate

OVERALL DIMENSIONS



TW-2500FMIV

		TW-2500FMIV
A	Overall Height	125.91" (3198mm)
B	Overall Width	220.47" (5600mm)
C	Traverse Stroke	157.48" (4000mm)
D	Overhang, Release Side	31.50" (800mm)
E	Cable Guide Overhang	9.02" (229mm)
F	(P) Vertical Stroke	98.43" (2500mm)
G	(P) Vertical Standby	19.69" (500mm)
H	Bottom of Crosswise to Chuck Mount Postion	30.63" (778mm)
I	Crosswise Arm	111.42" (2830mm)
J	Thickness	26.34" (669mm)
K	Crosswise Reach Max.	100.39" (2550mm)
L	Crosswise Stroke Max.	78.74" (2000mm)
M	Crosswise Standby Min.	21.65" (550mm)
N	Platform at Rail Side Length	72.72" (1847mm)
O	Platform at Rail Side Width	36.26" (921mm)
P	Platform at Carriage Unit Side Length	70.87" (1800mm)
Q	Platform at Carriage Unit Side Width	16.50" (419mm)
R	Base Offset	3.15" (80mm)

All stated here is subject to change without notice



Wisconsin (HQ)

N90 W14401 Commerce Drive
Menomonee Falls, WI 53051
Phone: 262-253-3550
Fax: 262-253-3559
Email: kscheife@starautomation.com

California

18141 Beach Blvd, Unit 195
Huntington Beach, CA 92648
Phone: 714-375-2400
Fax: 714-375-2446
Email: ryamasaki@starautomation.com

Georgia

5555 Oakbrook Parkway Suite 320
Norcross, GA 30093
Phone: 770-582-9350
Fax: 770-582-9351
Email: chebert@starautomation.com

Indiana

5625 Vogel Road Unit B
Evansville, IN 47715
Phone: 812-475-9947
Fax: 812-475-9949
Email: sberry@starautomation.com

Michigan

17197 North Laurel Park Dr. Suite 125
Livonia, MI 48152
Phone: 734-462-9522
Fax: 734-462-9527
Email: tsukuda@starautomation.com

Rhode Island

860A Waterman Avenue
E Providence, RI 02914
Phone: 401-434-0617
Fax: 401-434-0627
Email: sales@starautomation.com

Tennessee

Sales Phone: 678-428-4202
Service Phone: 615-796-5670
Email: chebert@starautomation.com

Star Seiki Mexico S.A. De C.V.

Blvd Bernardo Quintana #7001
Torre II Oficina 1004 Colonia Centro Sur,
Queretaro, CP. 76090 Mexico
Phone: +52-442-199-5180
Email: knomura@starseikimexico.com