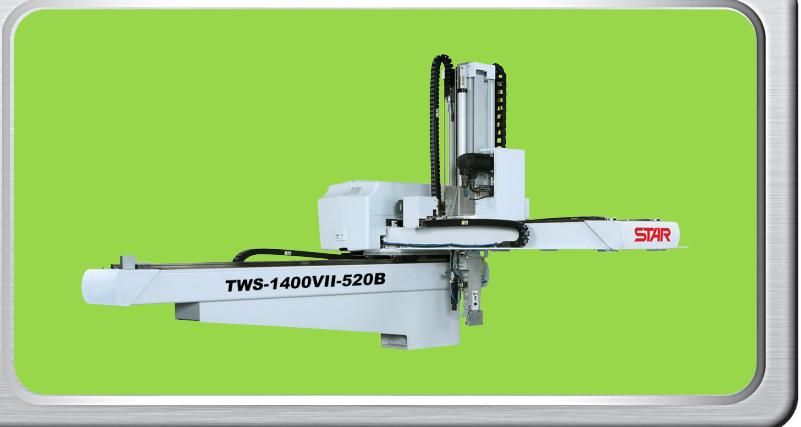


◎ INJECTION PRESS RANGE: 450-750 TON ◎

*Digital AC SERVO Robot Series*

# TW-1400VII

# TWS-1400VII



## COMMON SPECIFICATIONS

Power Source	Air Pressure	Drive	Posture (air cylinder)	Recommended Max Load	Posture Torque @ 70 PSI	Control Types
200 VAC ± 10% 60 Hz	70 psi (.48 MPa)	AC Servo Motor	90°	33 lbs (15 kg)	42.6 ft-lbs (57.7 N·m)	STEC-520B

## GENERAL SPECIFICATIONS

Model	Stroke				Electric Consumption (kVA)	Max Power Consumption (kW)	Main Body Weight (KG)	Air Consumption (ft <sup>3</sup> )
	(P) Vertical	(R) Vertical	Crosswise	Traverse				
TW-1400VII	59.06" (1500 mm)	N/A	44.49" (1130 mm)	86.61" (2200 mm)	6.0	3.6	720 (1587 lbs)	0.61 (17.4 NI / Cycle)
TWS-1400VII	59.06" (1500 mm)	61.02" (1550 mm)	41.34" (1050 mm)	86.61" (2200 mm)	8.3	5.0	773 (1704 lbs)	0.62 (17.5 NI / Cycle)

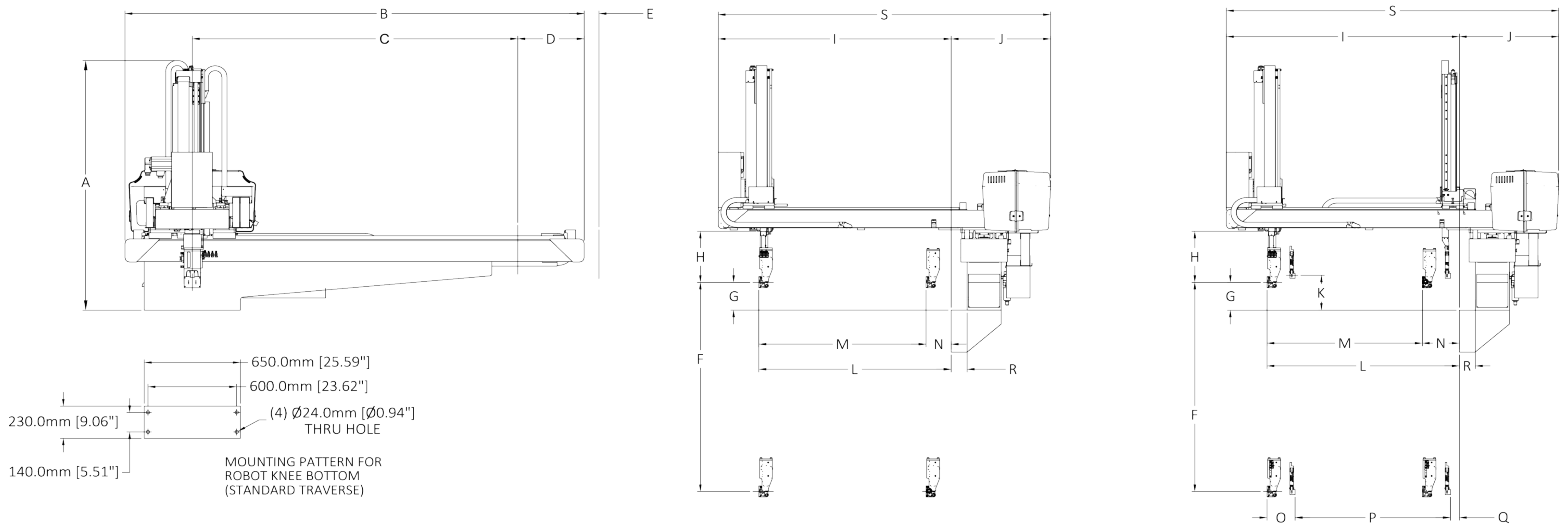
## STANDARD FEATURE

Vacuum Generator with Part Present Sensor
Part Grip Circuit
Sprue Grip Circuit
USB Port
Ethernet Port
Sample and Chuck Change Positons
Product Packaging (256 each axis)
CNC Step Programming
Micro SD
CPC® and AMP® Connections at the Head
Active Vibration Control
IMM Mounting Weldment
Multi- Level Password Protection
Position, Speed and Timer Adjust in Auto
Alarm History
Grease Pocket LM Bearings

## OPTION LIST

Additional Vacuum Generator with Part Present Sensor
Additional Part Grip
Nipper on Chuck
Rotation 90°, 180° 2-Position, 180° 3-Position
Shuttle on Tool
Mold Spray
Air Blow
1-3 Color Alarm Light
Special Paint
Free Packaging
Central Lube
Quick Chuck Change
Servo Posture Wrist
Servo Posture Rotate

### OVERALL DIMENSIONS



		TW-1400VII	TWS-1400VII
A	Overall Height	69.57" (1767mm)*	70.39" (1788mm)
B	Overall Width	122.20" (3104mm)	122.20" (3104mm)
C	Traverse Stroke	86.61" (2200mm)	86.61" (2200mm)
D	Overhang, Release Side	17.68" (449mm)	17.68" (449mm)
E	Cable Guide Overhang	0	0
F	(P) Vertical Stroke	59.06" (1500mm)	59.06" (1500mm)
G	(P) Vertical Standby	7.87" (200mm)	7.87" (200mm)
H	Bottom of Crosswise to Chuck Mount Postion	14.76" (375mm)	14.76" (375mm)
I	Mold Mounting Face - Crosswise Arm End	62.01" (1575mm)	62.01" (1575mm)
J	Mold Mounting Face - Box End	26.50" (673mm)	26.50" (673mm)
K	(R) Vertical Standby	-	9.84" (250mm)
L	(P) Crosswise Reach Max.	51.18" (1300mm)	51.18" (1300mm)
M	(P) Crosswise Stroke Max.	44.49" (1130mm)	41.34" (1050mm)
N	(P) Crosswise Standby Min.	6.69" (170mm)	9.84" (250mm)
O	(P) Proximity Min.	-	7.48" (190mm)
P	(R) Crosswise Stroke Max.	-	41.34" (1050mm)
Q	(R) Crosswise Standby Min.	-	2.36" (60mm)
R	Base Offset	4.25" (108mm)	4.25" (108mm)
S	Box End - Crosswise Arm End	88.50" (2248mm)	88.50" (2248mm)

\*Some units may be 15mm taller  
All stated here is subject to change without notice



<p><b>Wisconsin (HQ)</b> N90 W14401 Commerce Drive Menomonee Falls, WI 53051 Phone: 262-253-3550 Fax: 262-253-3559 Email: kscheife@starautomation.com</p>	<p><b>California</b> 18141 Beach Blvd. Unit 195 Huntington Beach, CA 92648 Phone: 714-375-2400 Fax: 714-375-2446 Email: ryamasaki@starautomation.com</p>	<p><b>Georgia</b> 5555 Oakbrook Parkway Suite 320 Norcross, GA 30093 Phone: 770-582-9350 Fax: 770-582-9351 Email: chebert@starautomation.com</p>	<p><b>Indiana</b> 5625 Vogel Road Unit B Evansville, IN 47715 Phone: 812-475-9947 Fax: 812-475-9949 Email: sberry@starautomation.com</p>
<p><b>Michigan</b> 17197 North Laurel Park Dr. Suite 125 Livonia, MI 48152 Phone: 734-462-9522 Fax: 734-462-9527 Email: tsukuda@starautomation.com</p>	<p><b>Rhode Island</b> 860A Waterman Avenue E Providence, RI 02914 Phone: 401-434-0617 Fax: 401-434-0627 Email: sales@starautomation.com</p>	<p><b>Tennessee</b> Sales Phone: 678-428-4202 Service Phone: 615-796-5670 Email: chebert@starautomation.com</p>	<p><b>Star Seiki Mexico S.A. De C.V.</b> Blvd Bernardo Quintana #7001 Torre II Oficina 1004 Colonia Centro Sur, Queretaro, CP. 76090 Mexico Phone: +52-442-199-5180 Email: knomura@starseikimexico.com</p>